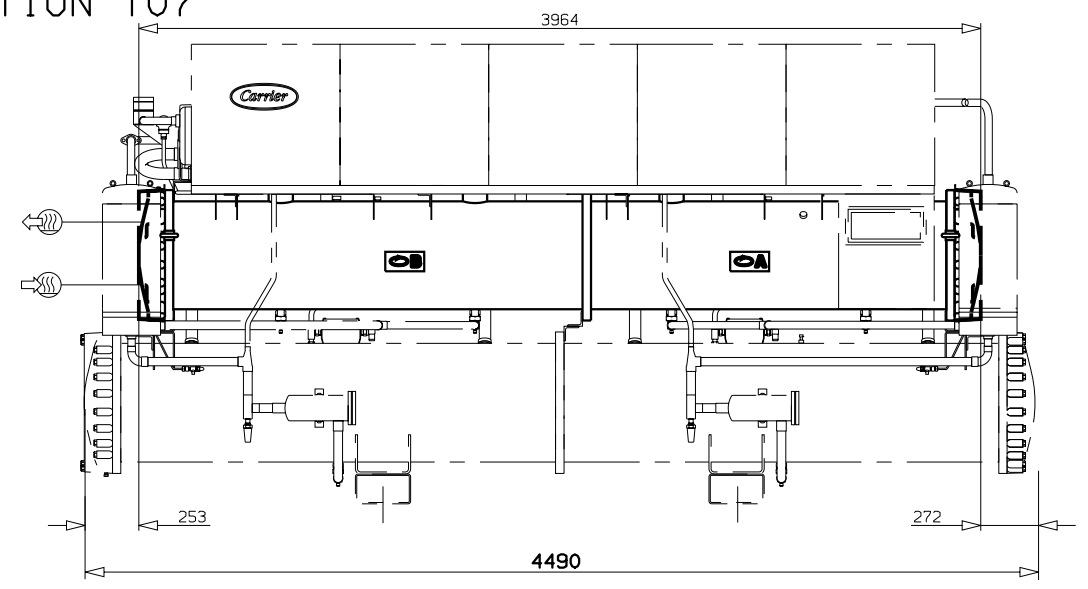
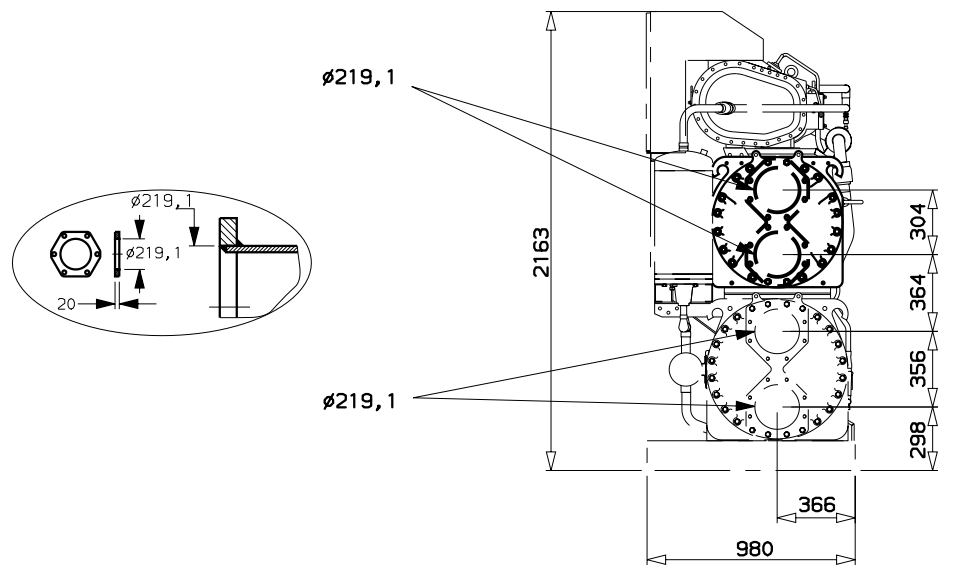
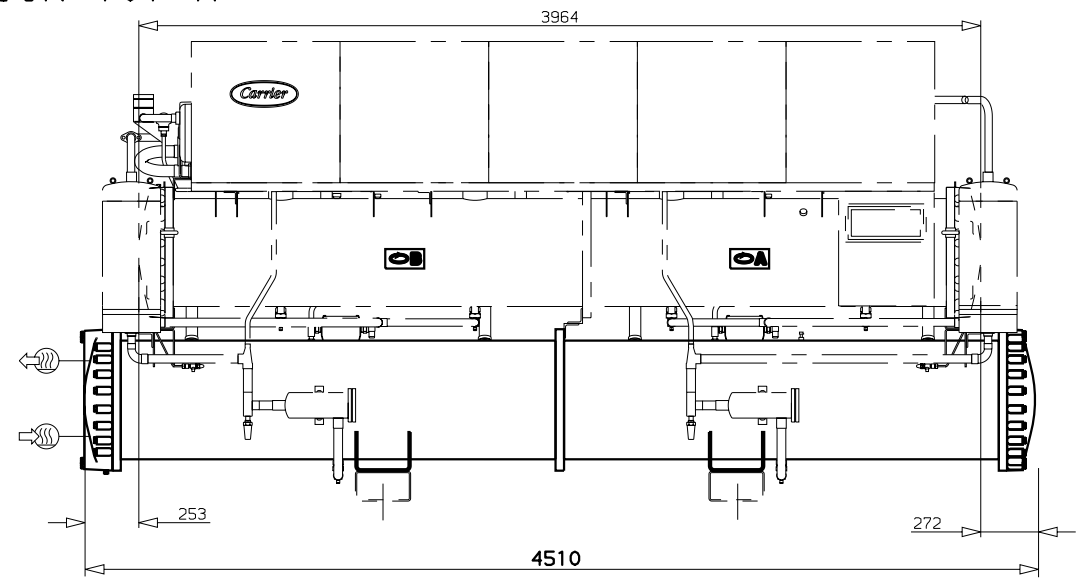
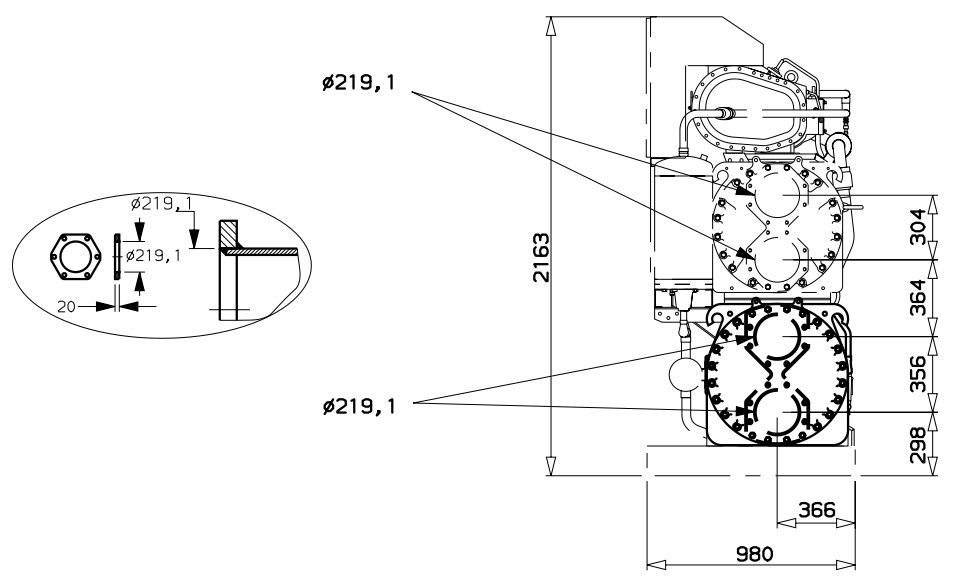


OPTION 107

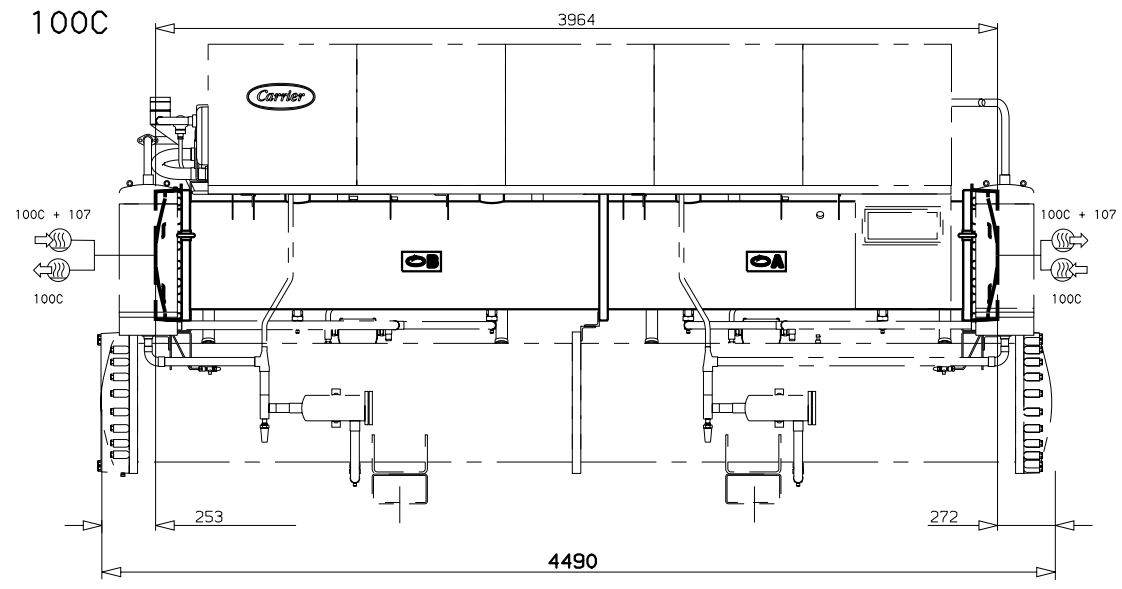
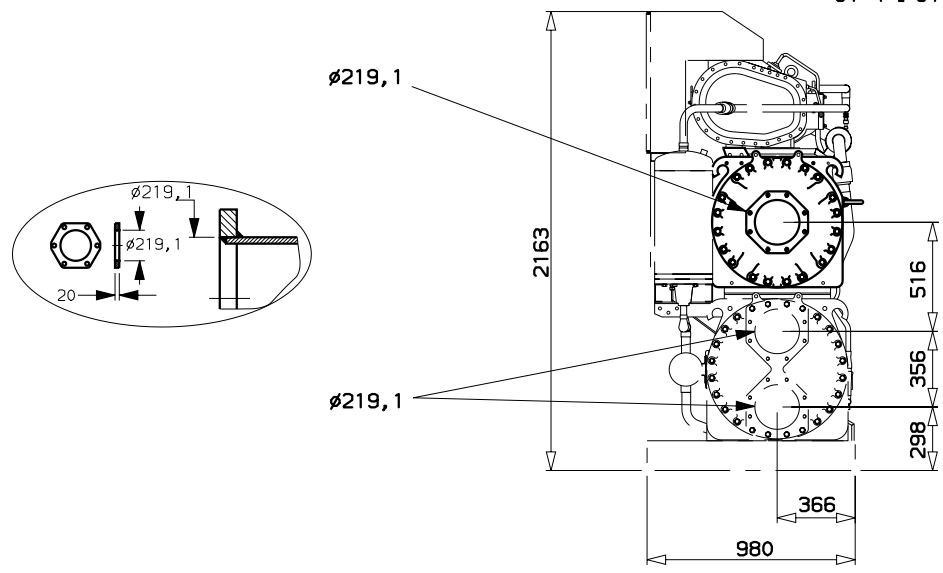


OPTION 107 A

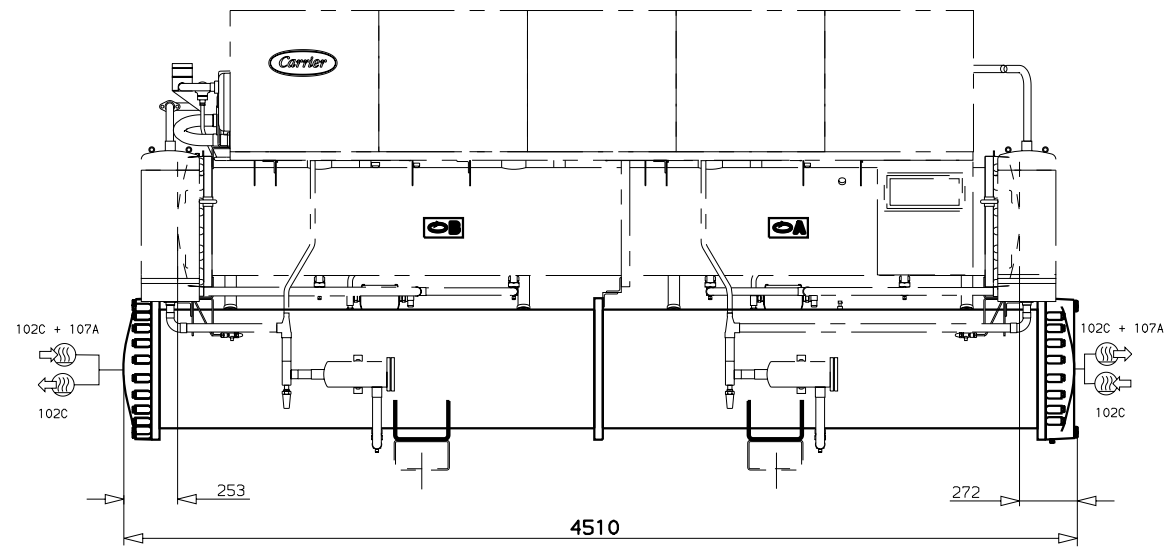
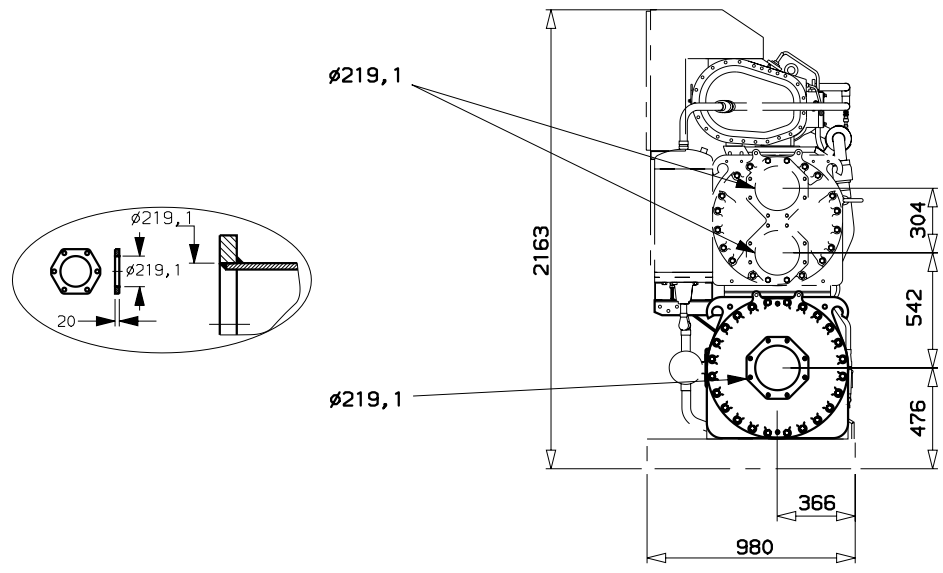


TOLERANCE TOLERANCE TOLERANZ	±10	30HXC310-->375		DATE DATE DATUM	19-JUN-98	FEUILLE SHEET BLATT	1/2
			99DI_310HX501641E				

OPTION 100C + 107
OPTION 100C



OPTION 102C + 107A
OPTION 102C



TOLERANCE TOLERANCE TOLERANZ	±10	30HXC310-->375		DATE DATE DATUM	19-JUN-98	FEUILLE SHEET BLATT	2/2
99DI_310HX501641E							