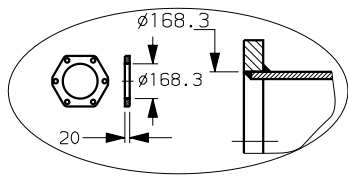
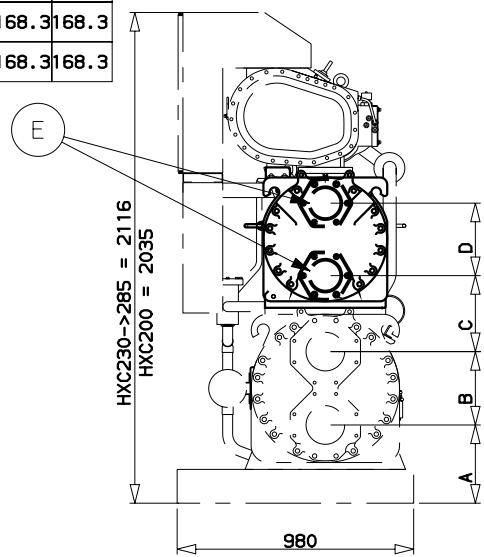
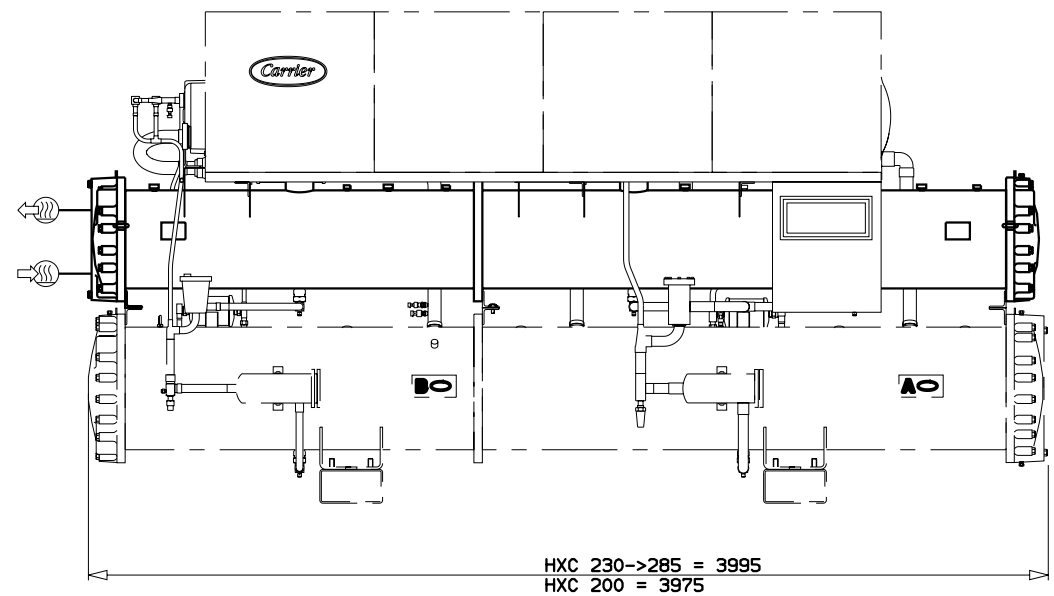


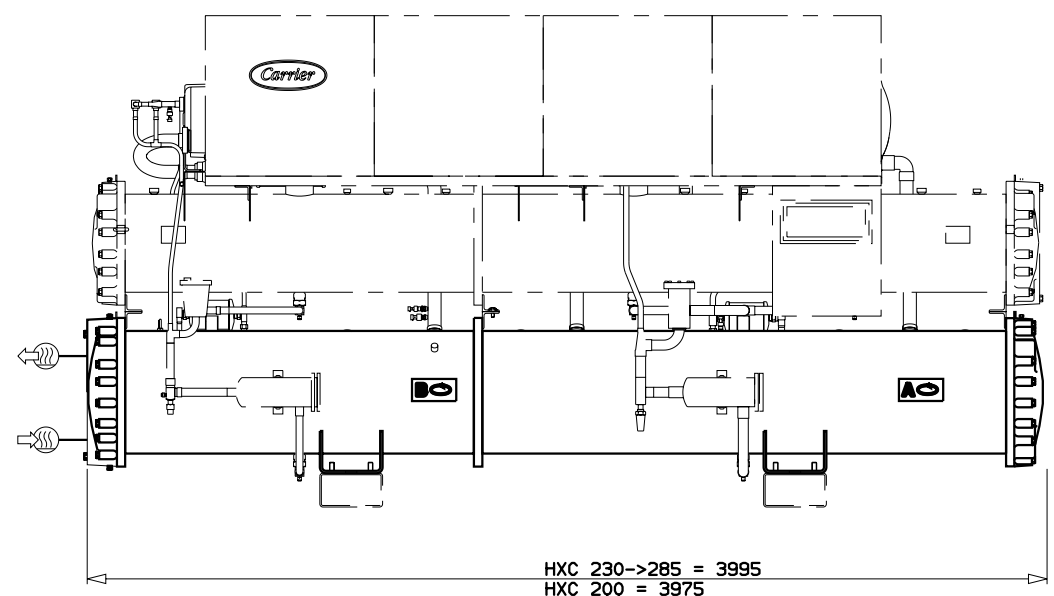
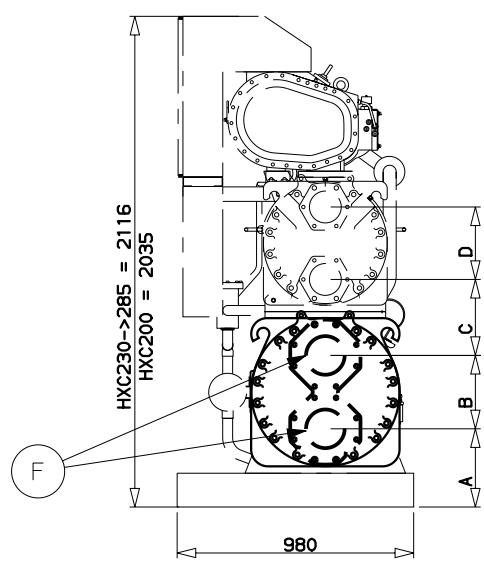
	A	B	C	D	E	F
30HXC200	323	304	315	300	168.3	168.3
30HXC230->285	298	356	344	295	168.3	168.3



OPTION 107

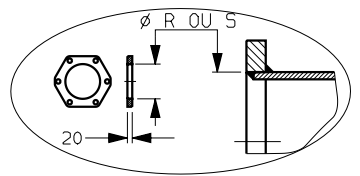


OPTION 107A

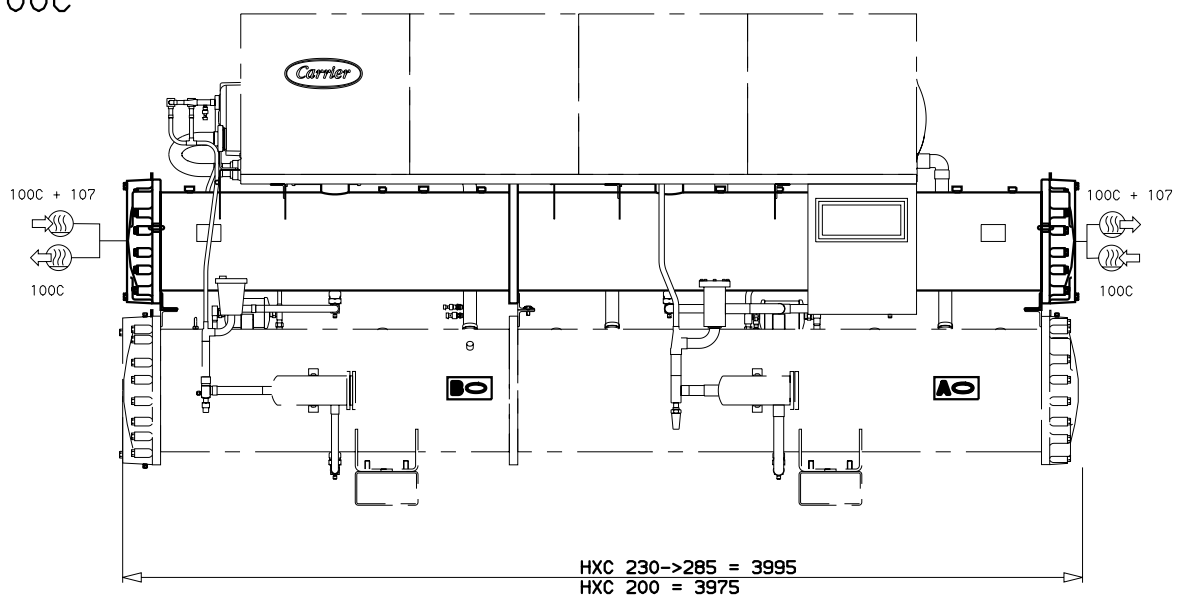
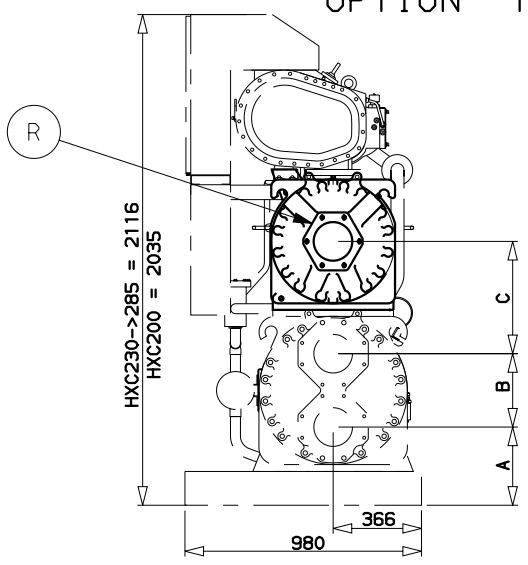


TOLERANCE TOLERANCE TOLERANZ	±10	30HXC200-->285		DATE DATE DATUM	19-JUN-98	FEUILLE SHEET BLATT	1/2
			99DI_200HX501640E				

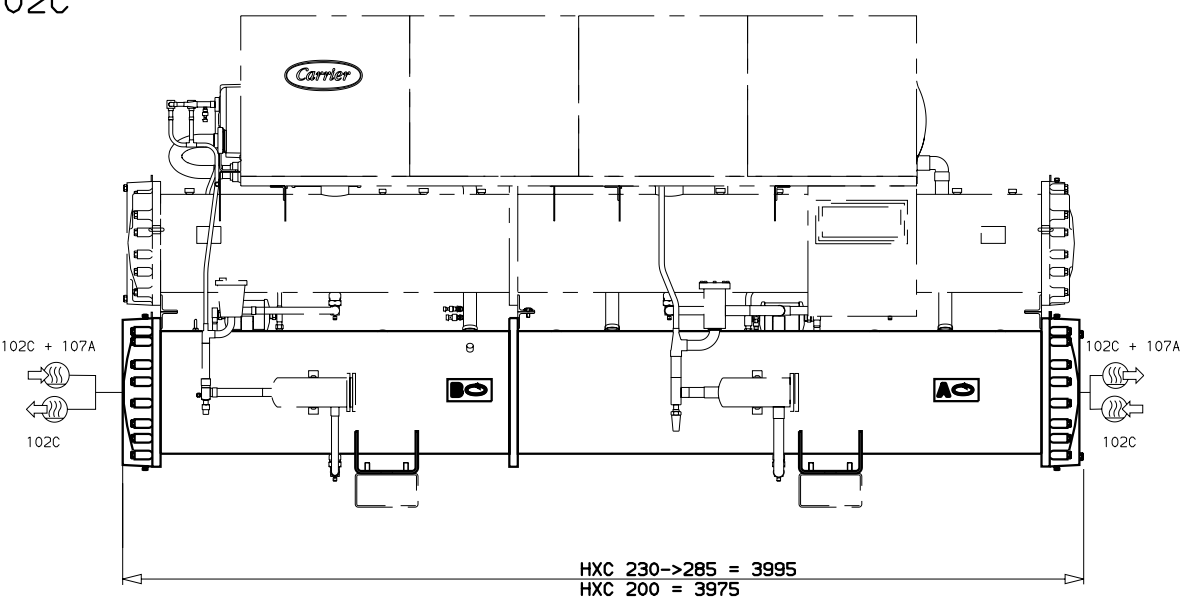
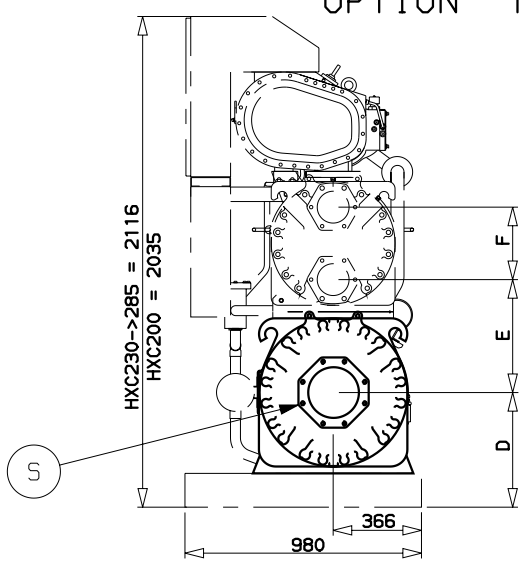
	30HXC200	30HXC230->285
A	323	298
B	304	356
C	465	491.5
D	475	476
E	467	522
F	300	295
G	617	669.5
R	168.3	168.3
S	219.1	219.1



OPTION 100C + 107
OPTION 100C



OPTION 102C + 107A
OPTION 102C



TOLERANCE TOLERANCE TOLERANZ	±10	30HXC200-->285		DATE DATE DATUM	19-JUN-98	FEUILLE SHEET BLATT	2/2
99DI_200HX501640E							