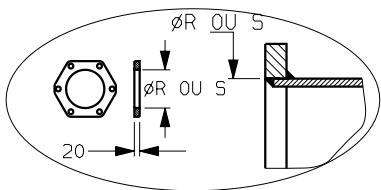
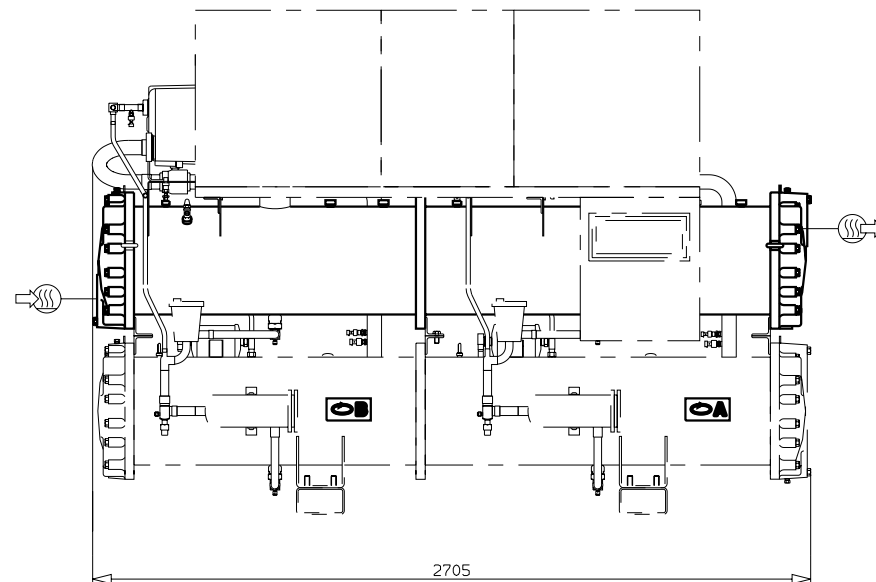
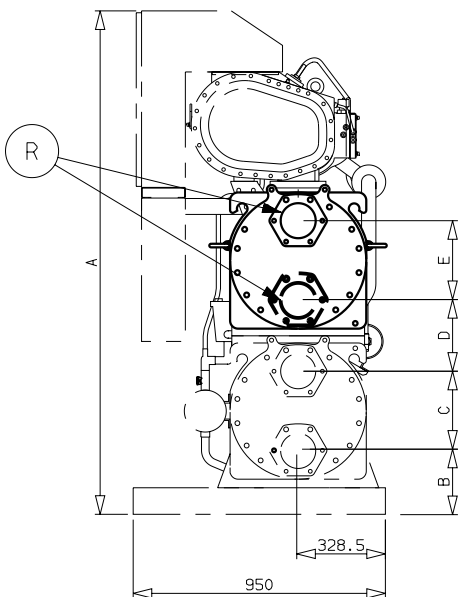


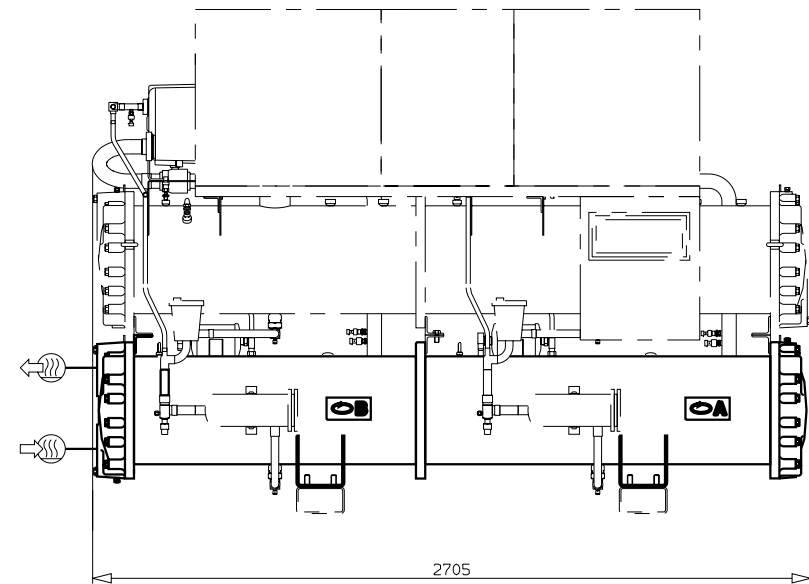
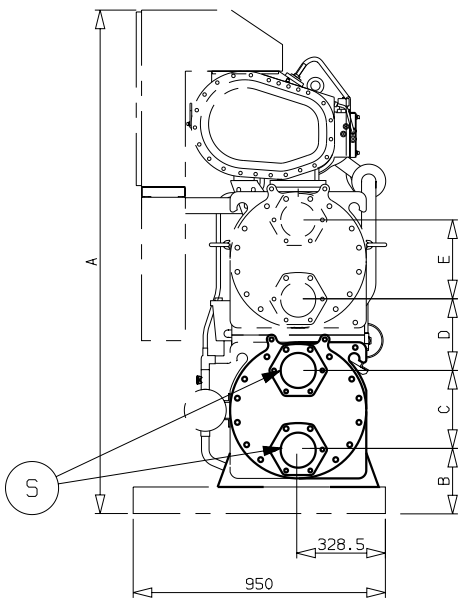
	A mm	B mm	C mm	D mm	E mm	F mm	G mm	ØR mm	ØS mm	ØT mm
30HXC080	1850	239	300	258	266	389	541	114.3	139.7	168.3
30HXC090										
30HXC100										
30HXC110	1900	239	300	267	300	389	561	139.7	139.7	168.3



OPTION 107



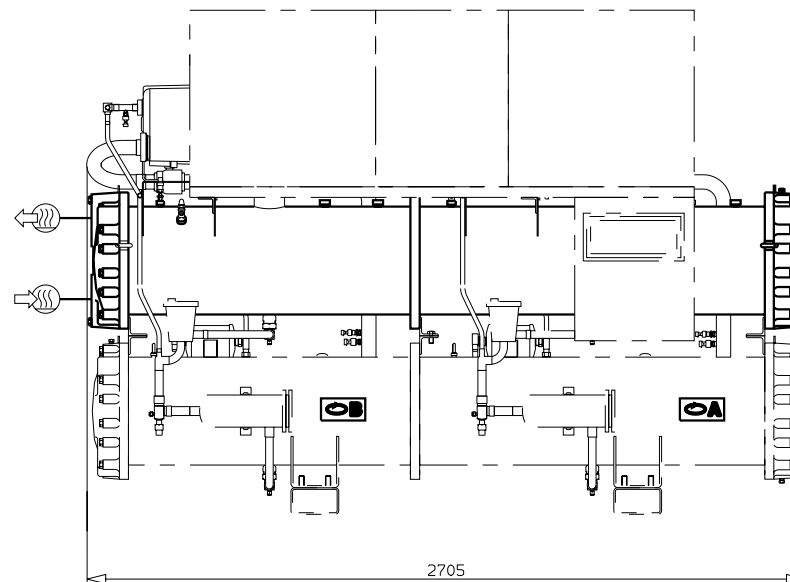
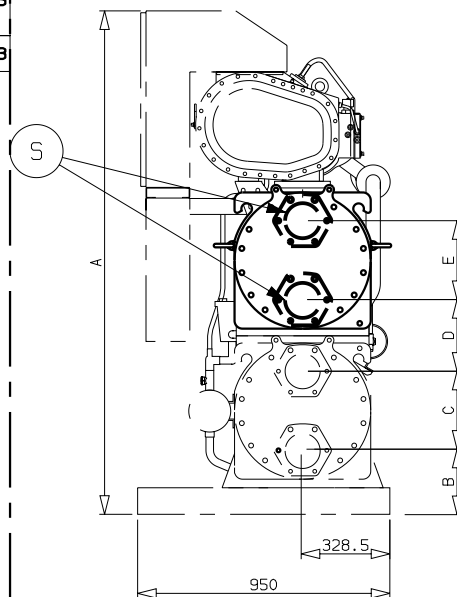
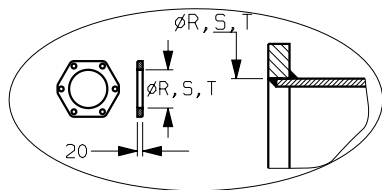
OPTION 107A



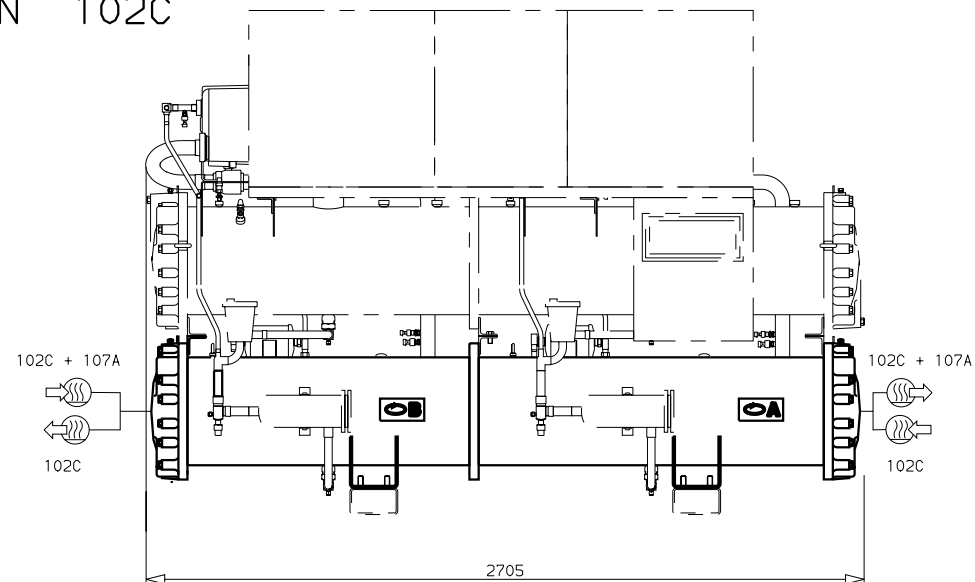
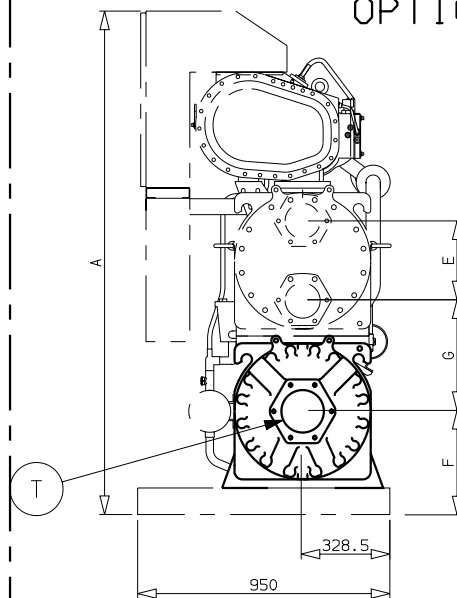
TOLERANCE TOLERANCE TOLERANZ	±10	30HXC080-->110		DATE DATE DATUM	19-JUN-98	FEUILLE SHEET BLATT	1/5
99DI_080HX501639E							

	A mm	B mm	C mm	D mm	E mm	F mm	G mm	ØR mm	ØS mm	ØT mm
30HXC080	1850	239	300	258	266	389	541	114.3	139.7	168.3
30HXC090										
30HXC100										
30HXC110	1900	239	300	267	300	389	561	139.7	139.7	168.3

OPTION 107 + 100C



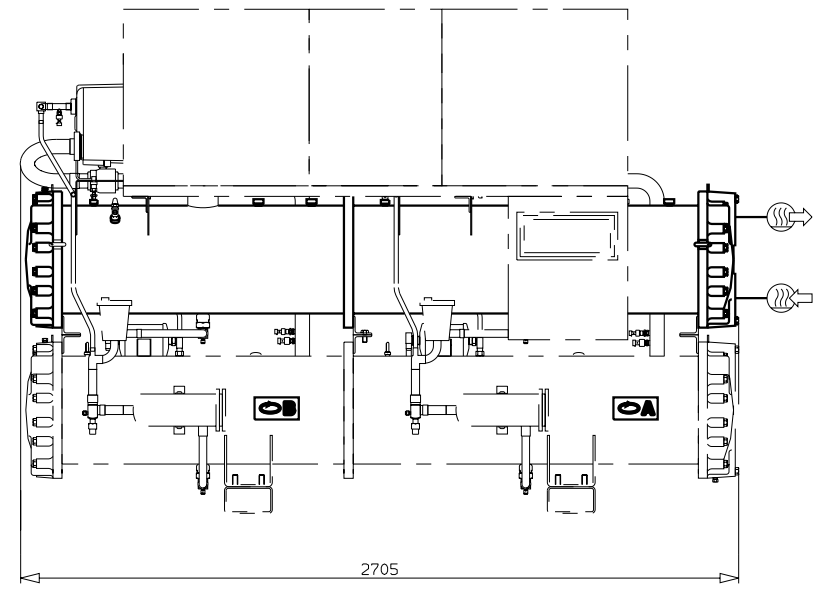
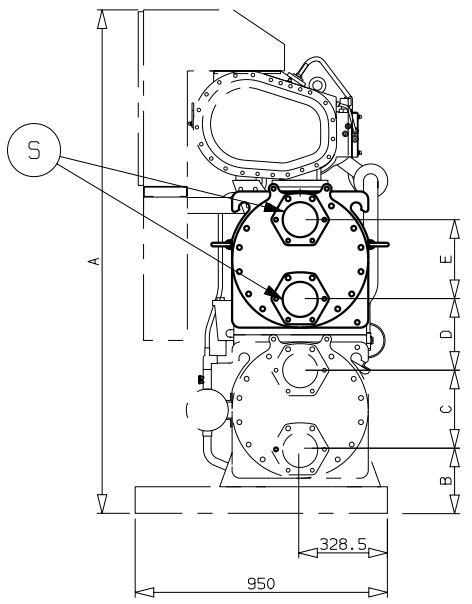
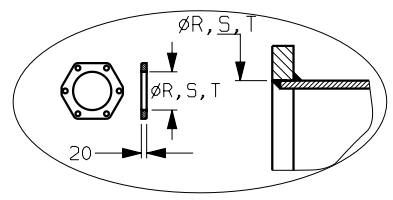
OPTION 102C + 107A
OPTION 102C



TOLERANCE TOLERANCE TOLERANZ	±10	30HXC080-->110		DATE DATE DATUM	19-JUN-98	FEUILLE SHEET BLATT	2/5
99DI_080HX501639E							

	A mm	B mm	C mm	D mm	E mm	F mm	G mm	ØR mm	ØS mm	ØT mm
30HXC080	1850	239	300	258	266	389	541	114.3	139.7	168.3
30HXC090										
30HXC100										
30HXC110	1900	239	300	267	300	389	561	139.7	139.7	168.3

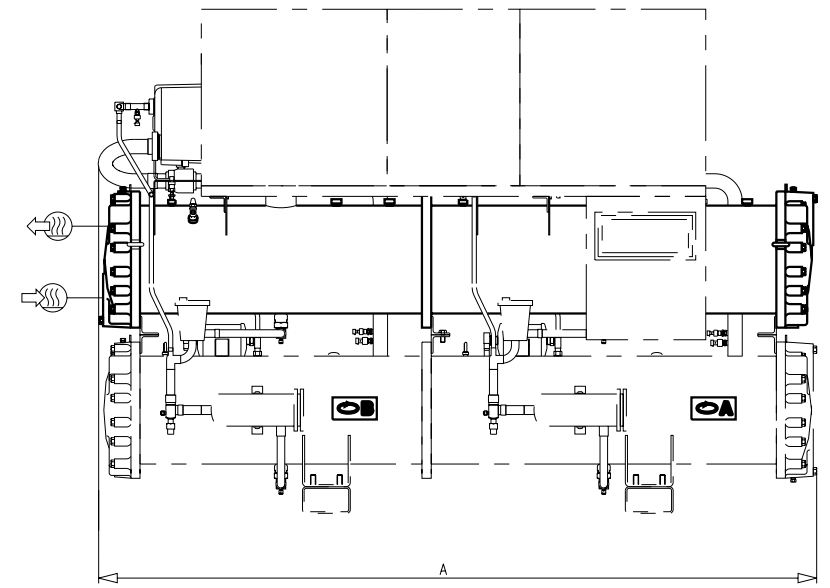
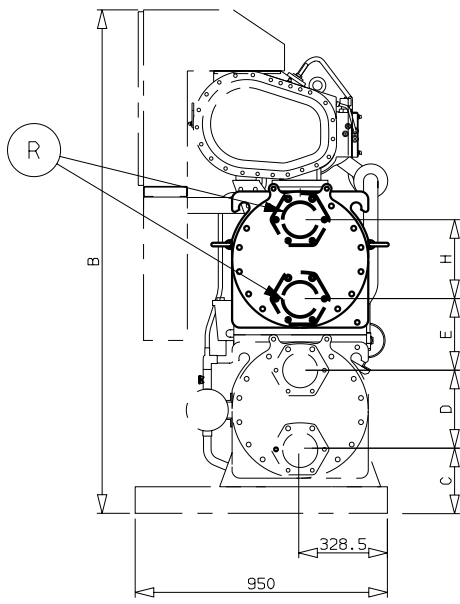
OPTION 100C



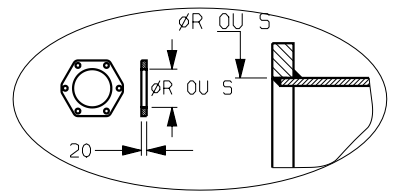
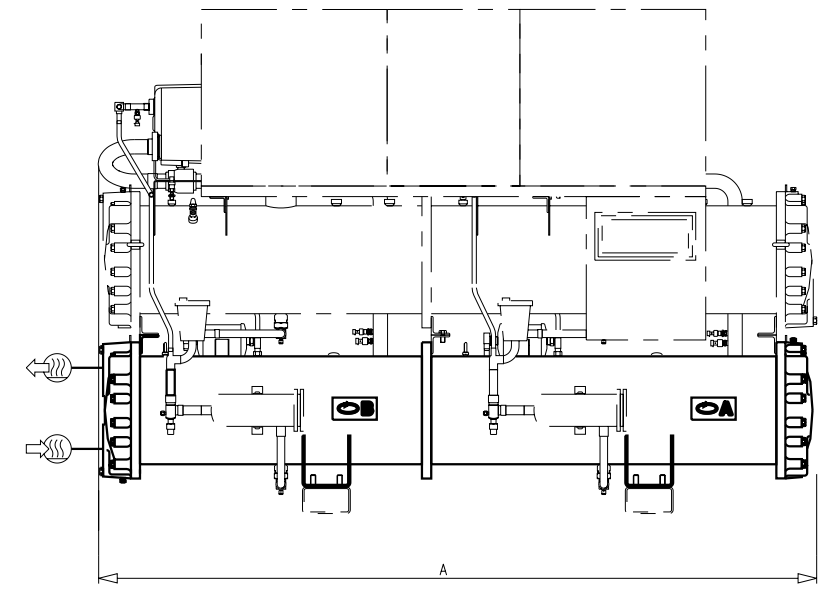
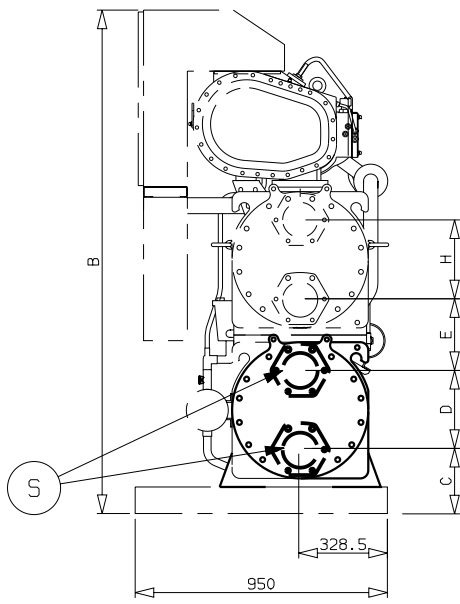
TOLERANCE TOLERANCE TOLERANZ	±10	30HXC080-->110		DATE DATE DATUM	19-JUN-98	FEUILLE SHEET BLATT	3/5
99DI_080HX501639E							

	30HXC120 30HXC130 30HXC140 30HXC155	30HXC175 30HXC190
A mm	3535	3550
B mm	1875	2000
C mm	239	283
D mm	295	304
E mm	302	318
*	*	*
*	*	*
H mm	230	300
*	*	*
ØR mm	139.7	139.7
ØS mm	139.7	168.3
*	*	*

OPTION 107



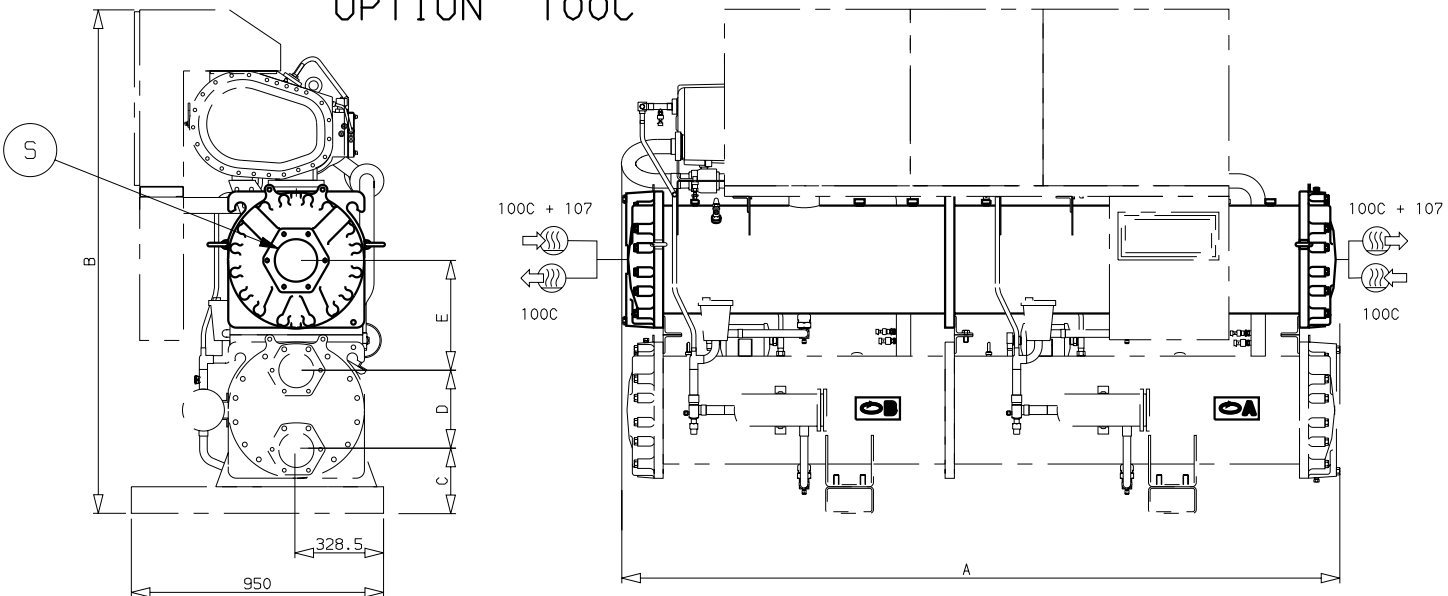
OPTION 107A



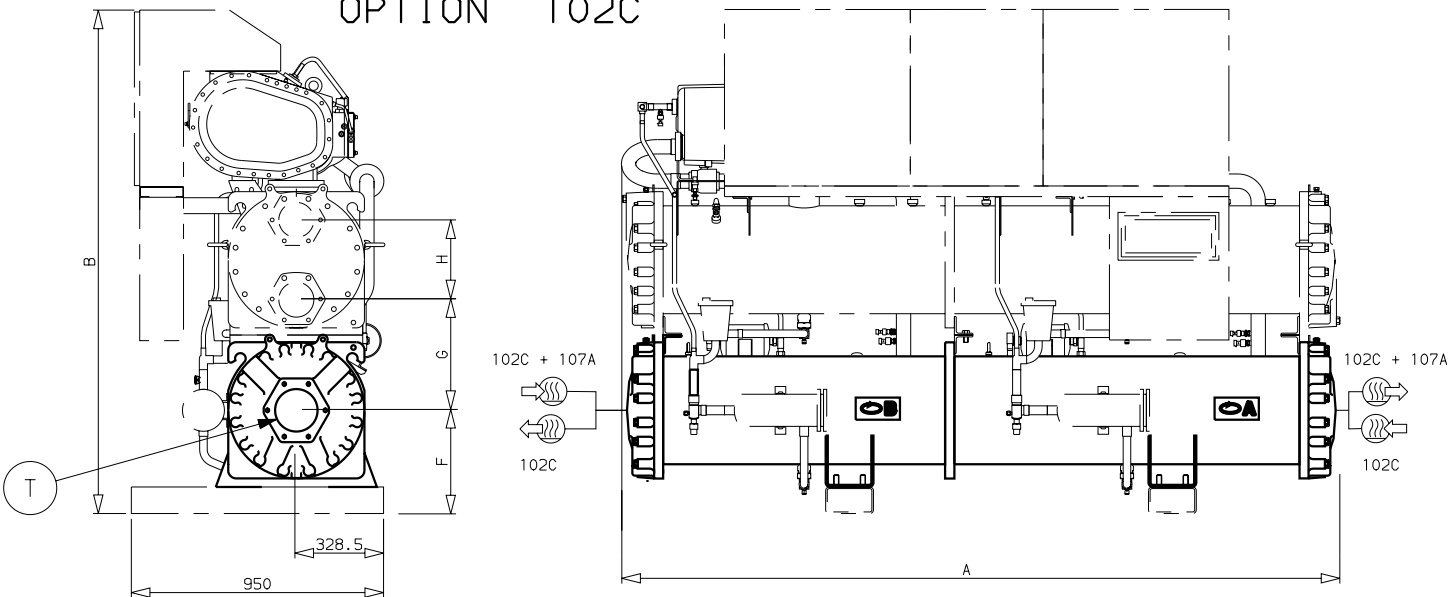
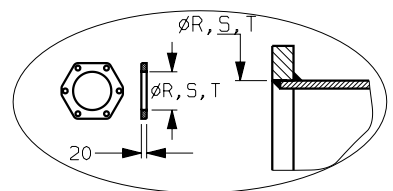
TOLERANCE TOLERANCE TOLERANZ	±10	30HXC120-->190		DATE DATE DATUM	19-JUN-98	FEUILLE SHEET BLATT	4/5
99DI_080HX501639E							

	30HXC120 30HXC130 30HXC140 30HXC155	30HXC175 30HXC190
A mm	3535	3550
B mm	1875	2000
C mm	239	283
D mm	295	304
E mm	417	468
F mm	386.5	435
G mm	449.5	470
H mm	230	300
J mm	564.5	620
ØR mm	139.7	139.7
ØS mm	139.7	168.3
ØT mm	139.7	219.1

OPTION 100C + 107
OPTION 100C



OPTION 102C + 107A
OPTION 102C



TOLERANCE TOLERANCE TOLERANZ	±10	30HXC120-->190		DATE DATE DATUM	19-JUN-98	FEUILLE SHEET BLATT	5/5
99DI_080HX501639E							