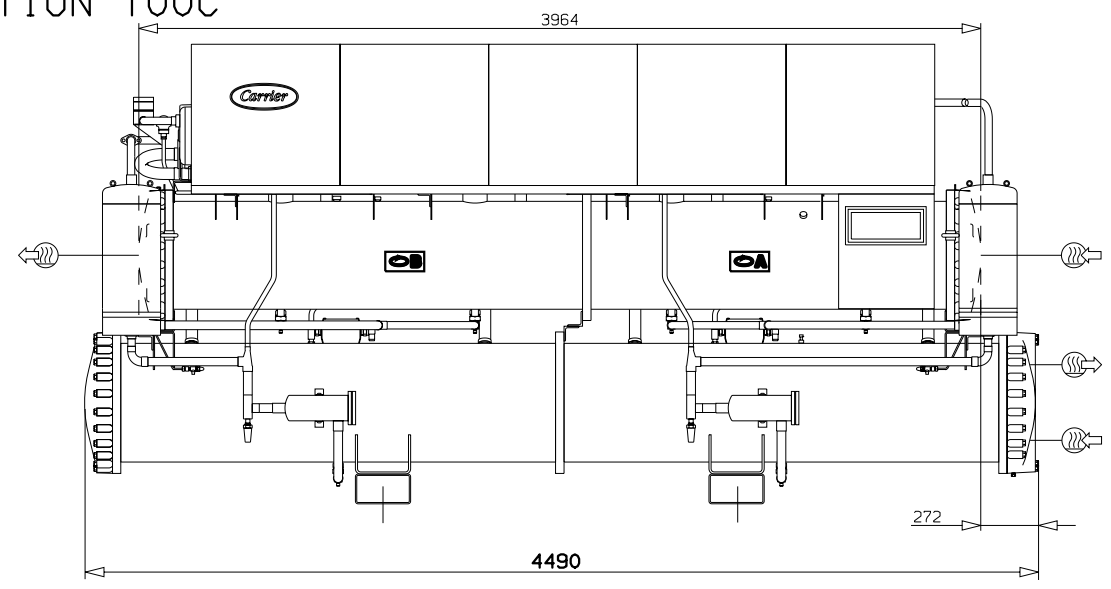
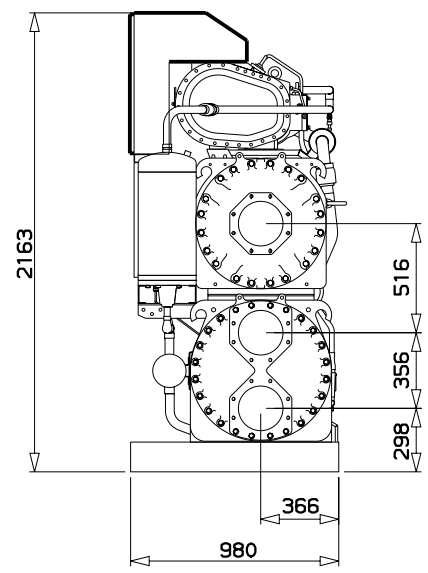
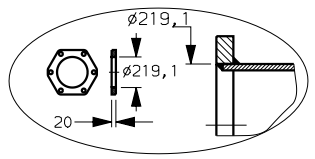
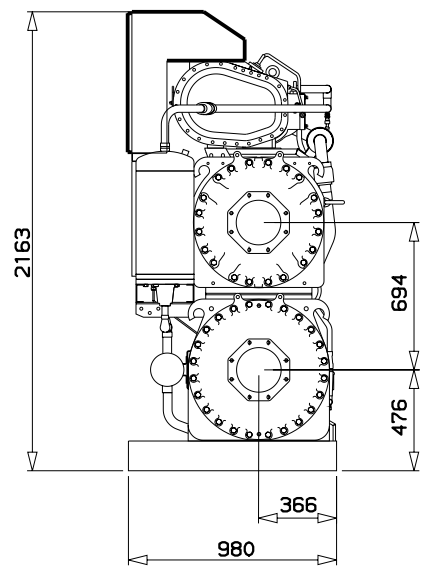


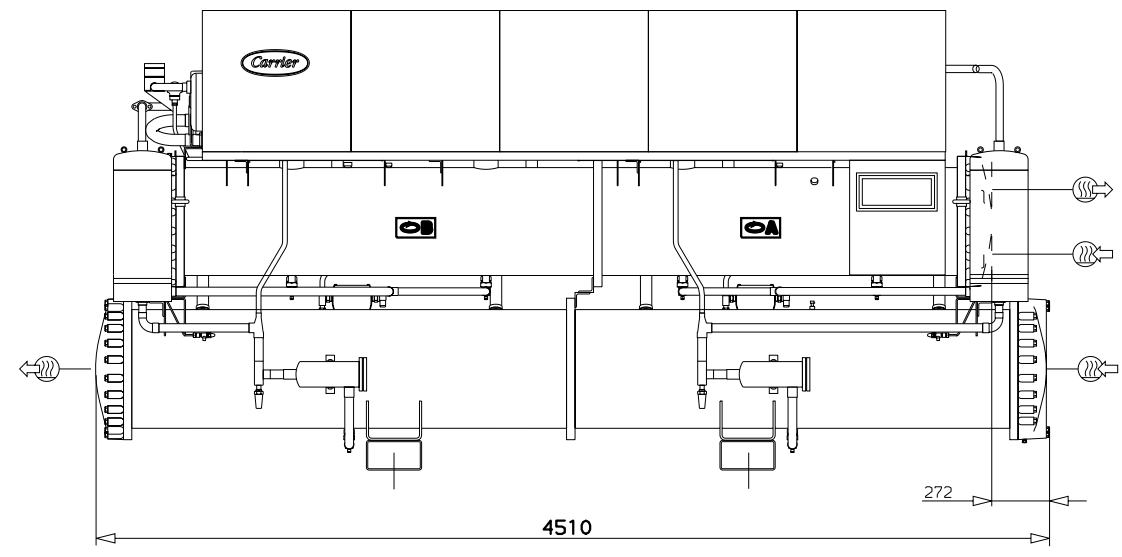
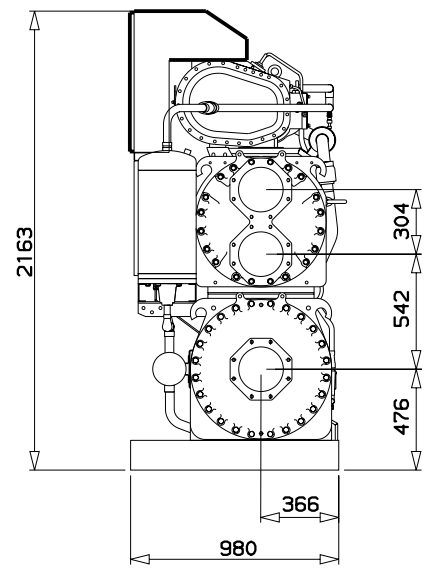
OPTION 100C



OPTION 100C+102C



OPTION 102C



TOLERANCE TOLERANCE TOLERANZ	±10	30HXC310-->375		DATE	FEUILLE
				09-SEP-98	SHEET
				DATUM	BLATT
			<b>99DI_310HX501625E</b>		