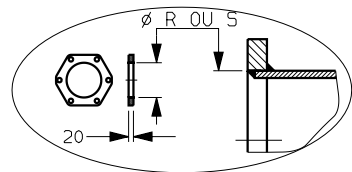
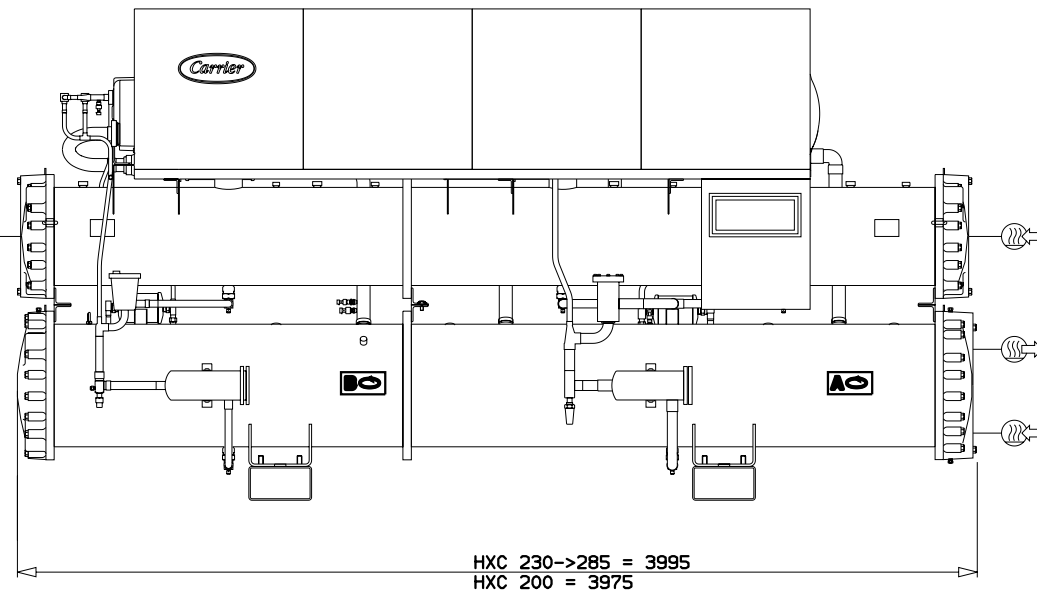
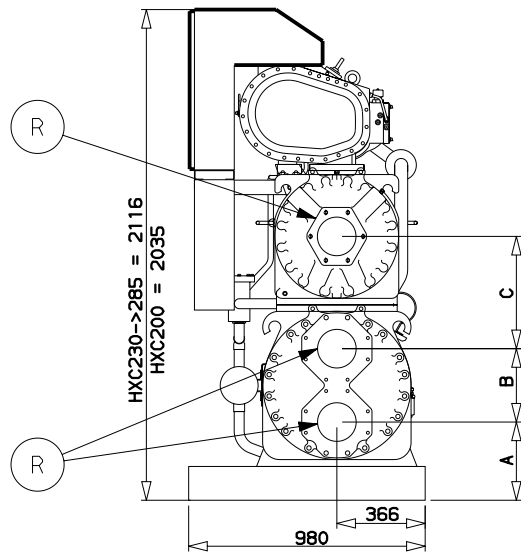


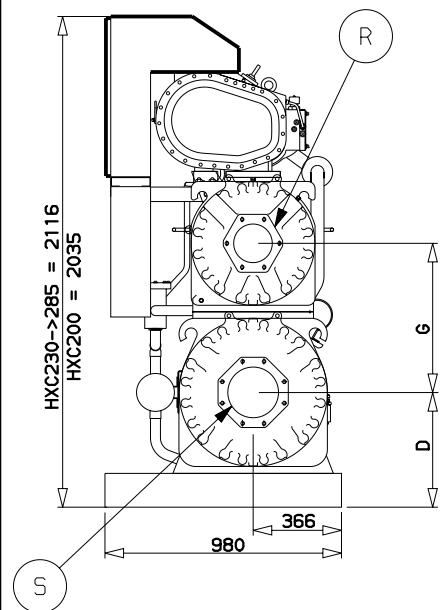
	30HXC200	30HXC230->285
A	323	298
B	304	356
C	465	491.5
D	475	476
E	467	522
F	300	295
G	617	669.5
R	168.3	168.3
S	219.1	219.1



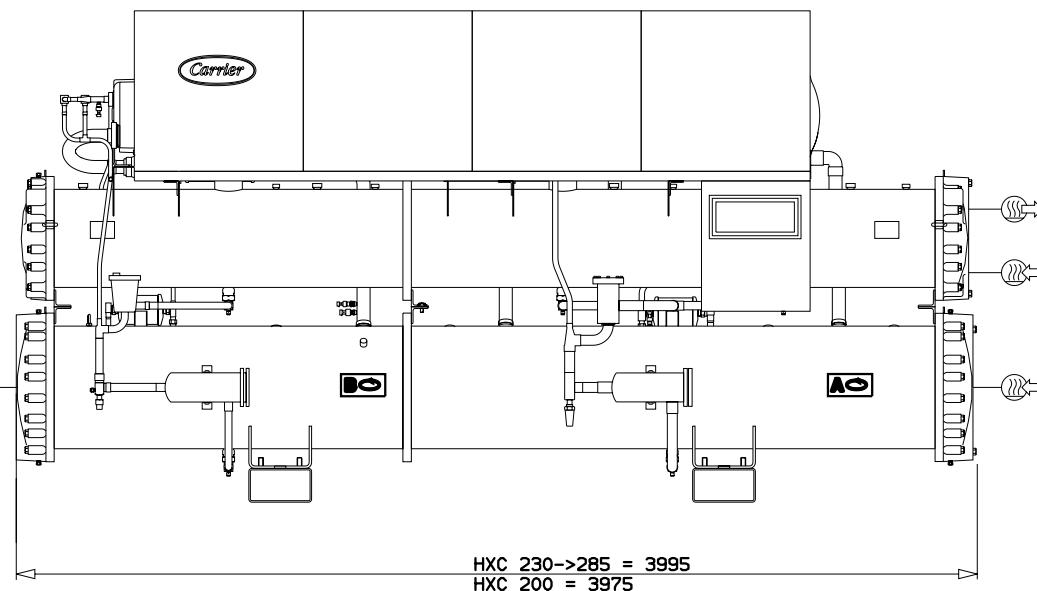
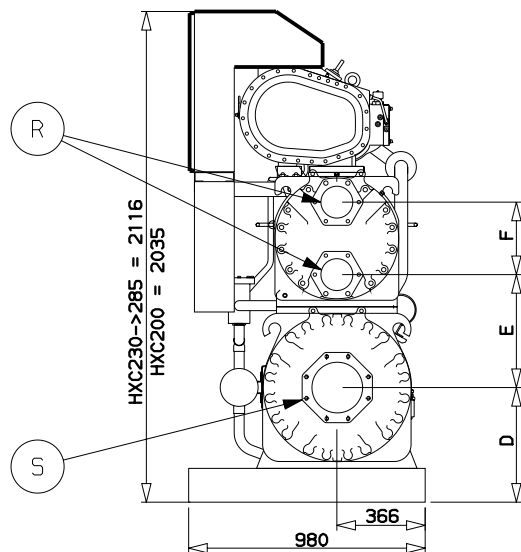
OPTION 100C



OPTION 100C + 102C



OPTION 102C



TOLERANCE TOLERANCE TOLERANZ	±10	30HXC200-->285		DATE DATE DATUM	09-SEP-98	FEUILLE SHEET BLATT	1/1
99DI_200HX501624E							