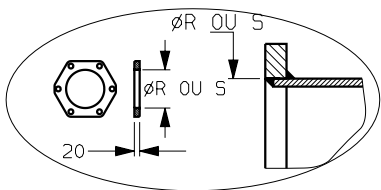
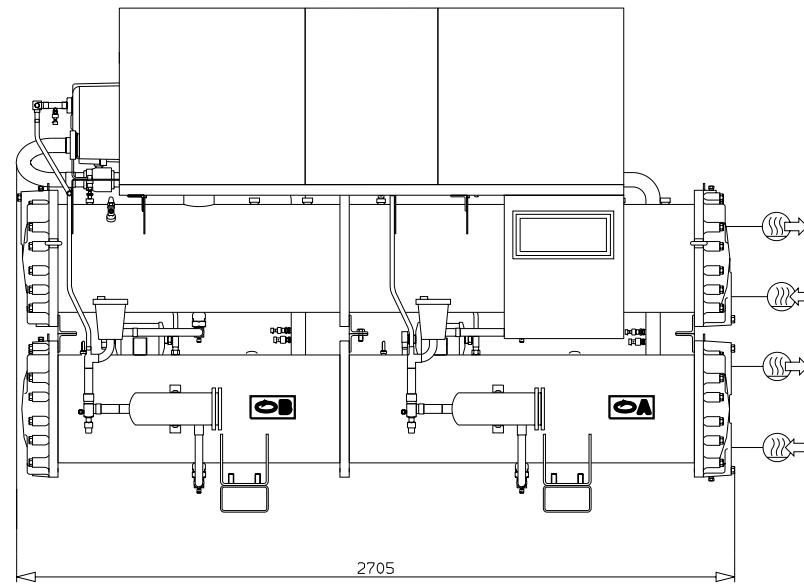
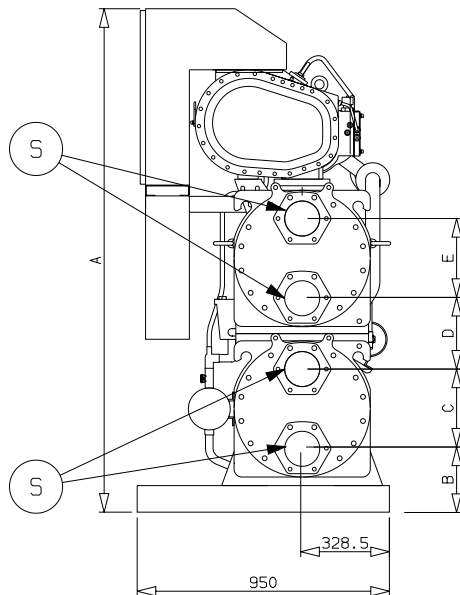


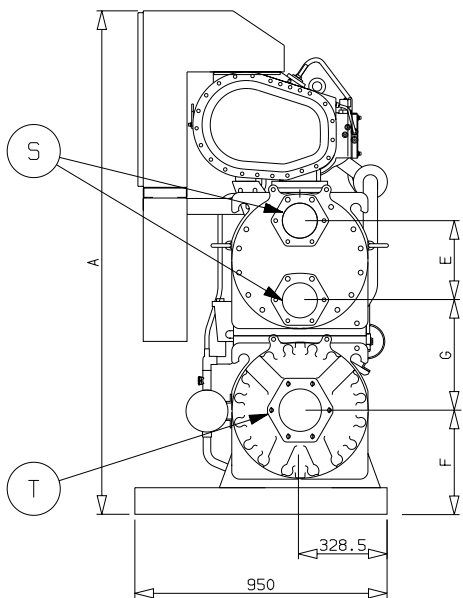
	A mm	B mm	C mm	D mm	E mm	F mm	G mm	ØR mm	ØS mm	ØT mm
30HXC080	1850	239	300	258	266	389	541	114.3	139.7	168.3
30HXC090										
30HXC100										
30HXC110	1900	239	300	267	300	389	561	139.7	139.7	168.3



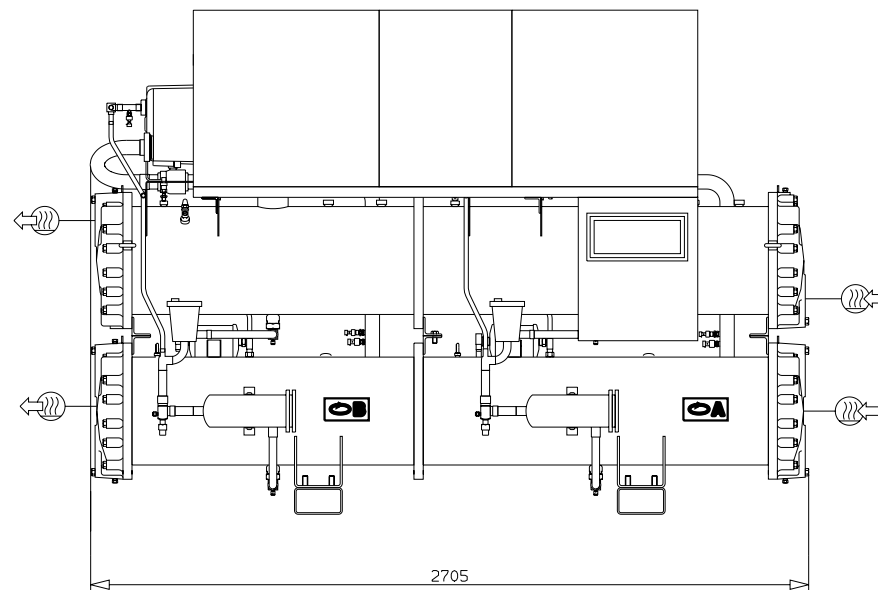
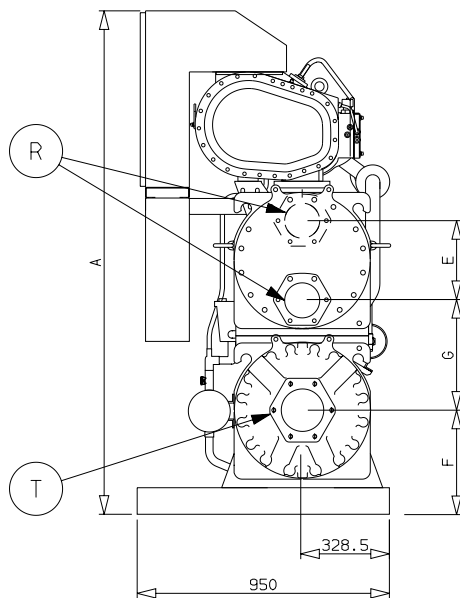
OPTION 100C



OPTION 100C +102C

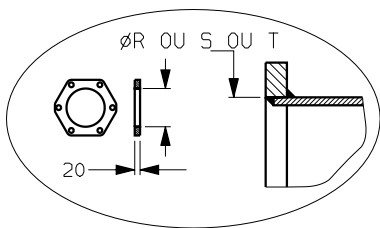


OPTION 102C

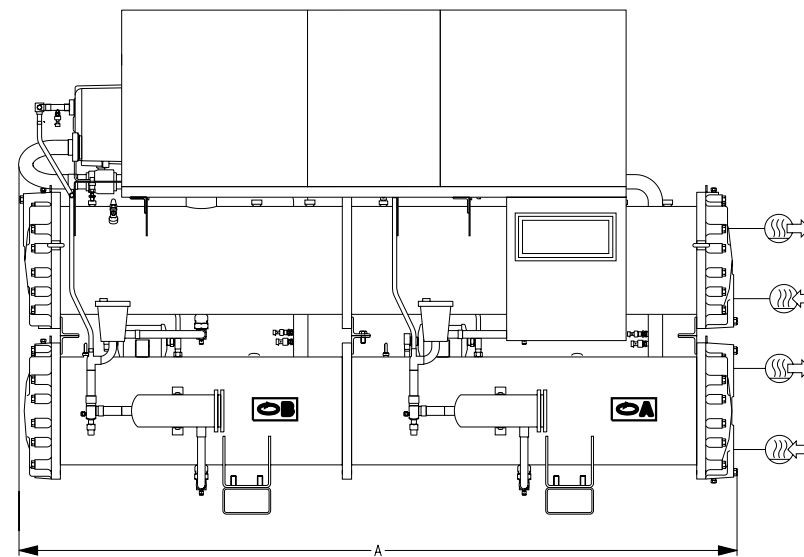
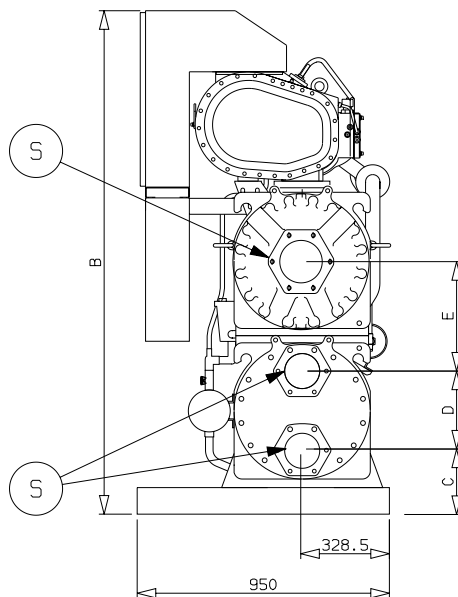


TOLERANCE TOLERANCE TOLERANZ	±10	30HXC080-->110		DATE DATE DATUM	09-SEP-98	FEUILLE SHEET BLATT	1/2
			99DI_080HX501623E				

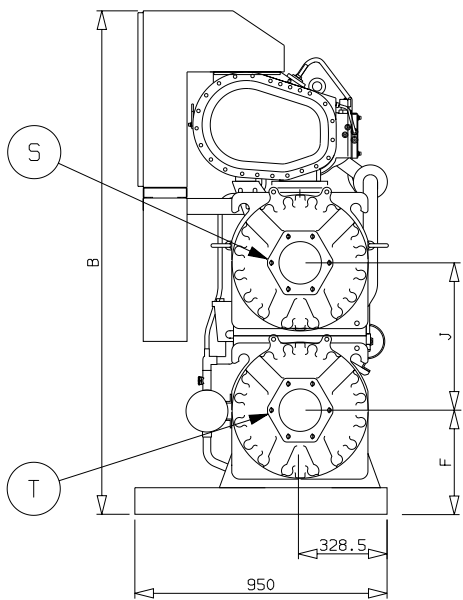
	30HXC120 30HXC130 30HXC140 30HXC155	30HXC175 30HXC190
A mm	3535	3550
B mm	1875	2000
C mm	239	283
D mm	295	304
E mm	417	468
F mm	386.5	435
G mm	449.5	470
H mm	230	300
J mm	564.5	620
ØR mm	114.3	139.7
ØS mm	139.7	168.3
ØT mm	139.7	219.1



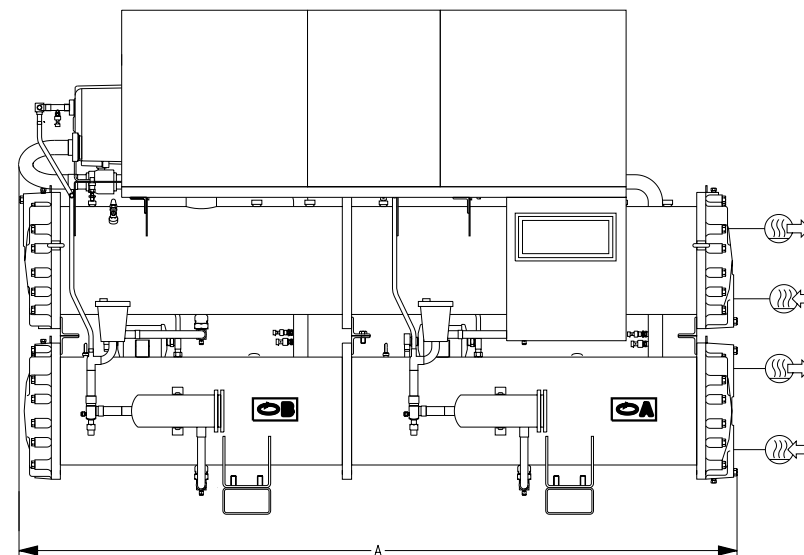
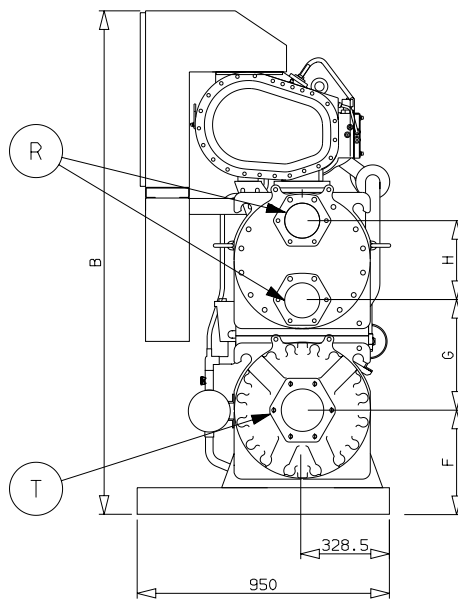
OPTION 100C



OPTION 100C +102C



OPTION 102C



TOLERANCE TOLERANCE TOLERANZ	±10	30HXC120-->190		DATE DATE DATUM	09-SEP-98	FEUILLE SHEET BLATT	2/2
99DI_080HX501623E							